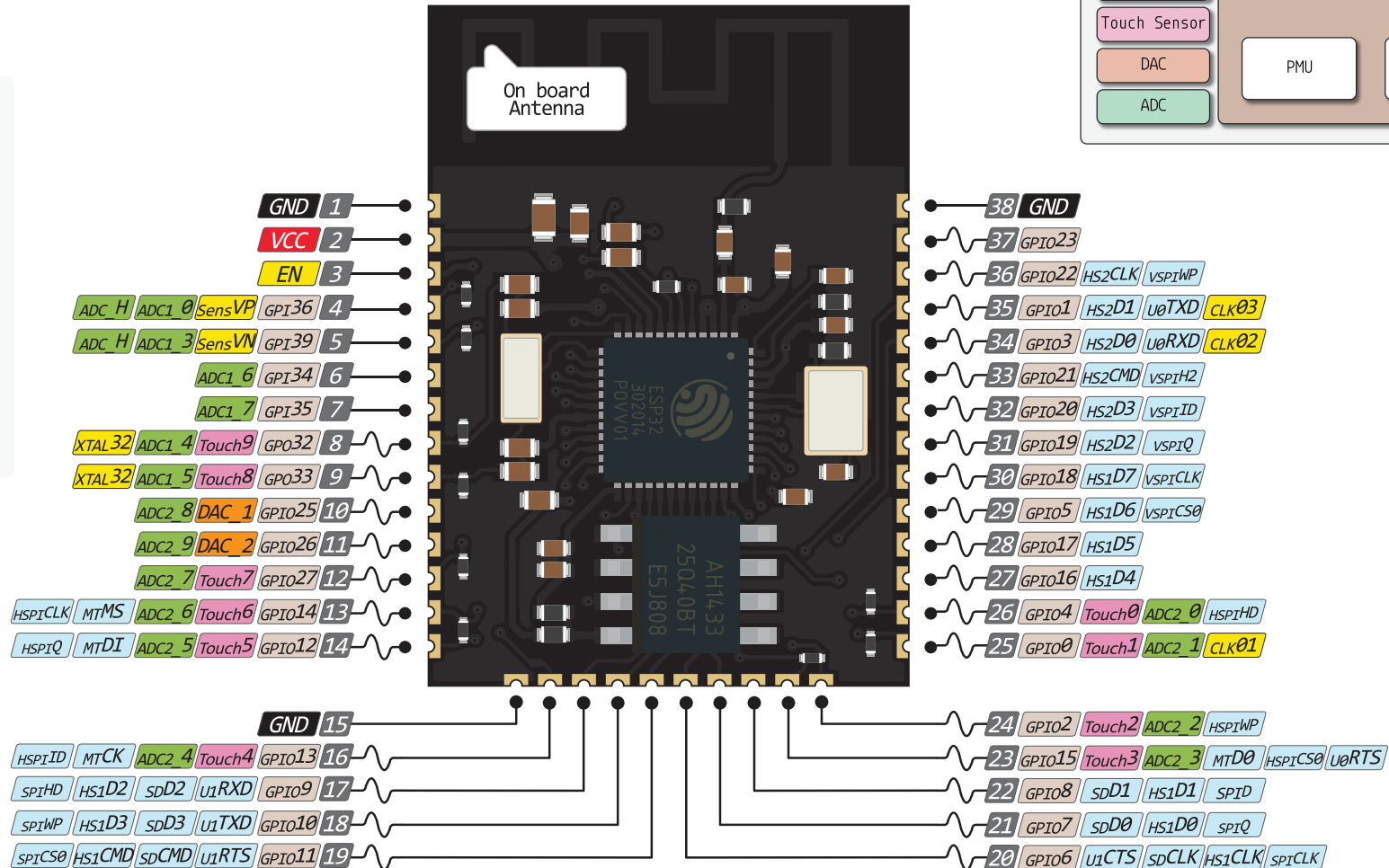
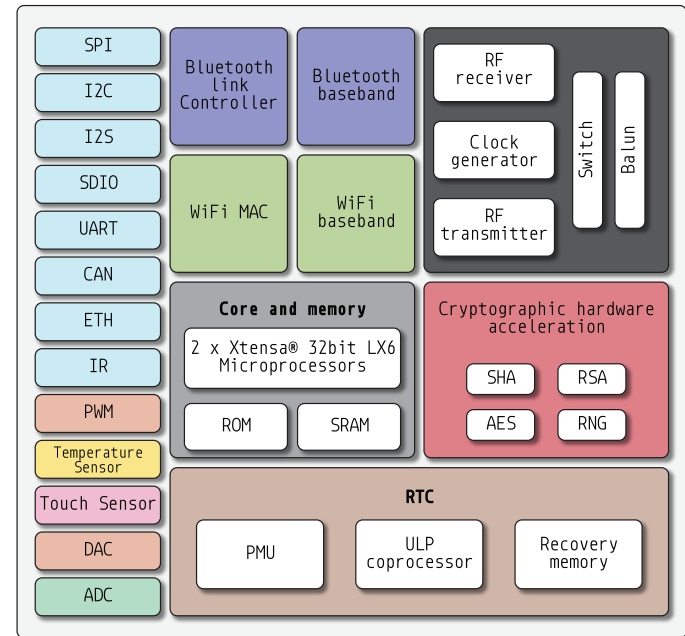


ESP32 PINOUT

**! Absolute MAX per pin 12mA
recommended 6mA**



<http://esp32.com/>